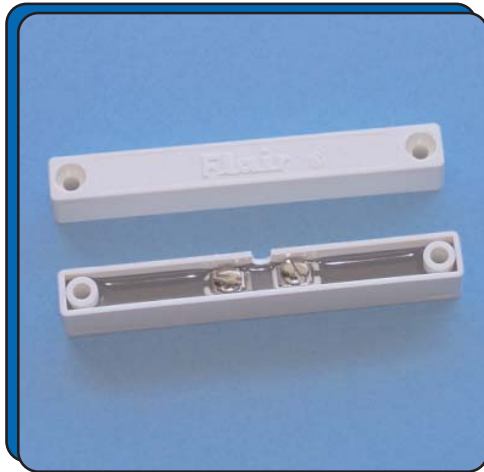


**4" LONG SURFACE MOUNT
MAGNETIC CONTACT
1020-37 SERIES**

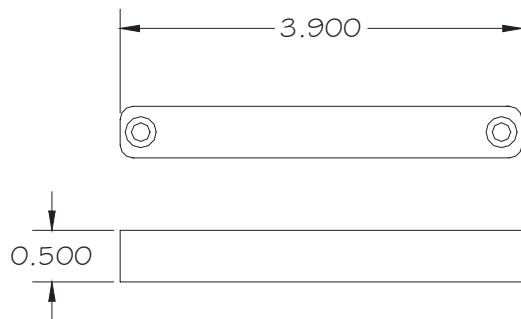


FEATURES:

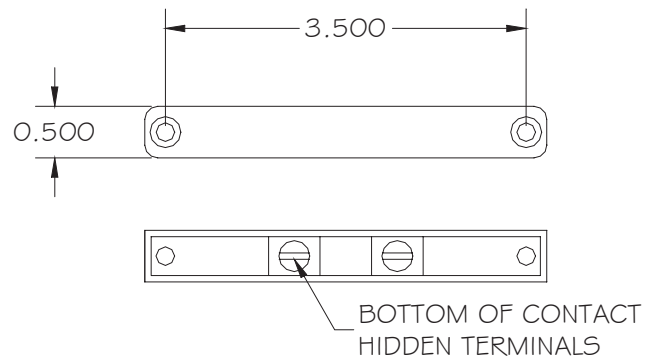
- * 4" Long Screw Mount Magnetic Contact
- * Hidden Terminals
- * Epoxy sealed for maximum resistance to harsh environment
- * Colors: White, Brown and Gray
- * Contacts and Magnets available separately
- * E.O.L. Resistors, Diodes and Supervisory Loops Available
- * Lifetime Warranty
- * Safety Approvals



MAGNET



SWITCH



Part Number	Loop Type	Electrical Configuration	Gap (Inch / mm)	Maximum Initial Contact Resistance (Ohm)	Maximum Contact Rating (W)	Maximum Switching Voltage (VDC/VAC)	Maximum Switching Current (A)
1020-37	Closed	N/O	1 1/2 (38.1)	.100	10	100	.500
1020-58	Open	N/C	1 1/2 (38.1)	.100	3	30	.200
1020-47	Open/Closed	SPDT	1 1/2 (38.1)	.100	3	30	.200
1020-50	Closed	N/O	3 (76.2)	.100	10	100	.500
1020-55	Open	N/C	3 (76.2)	.100	3	30	.200
1020-54	Open/Closed	SPDT	3 (76.2)	.100	3	30	.200